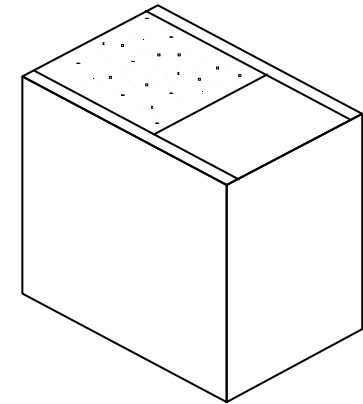
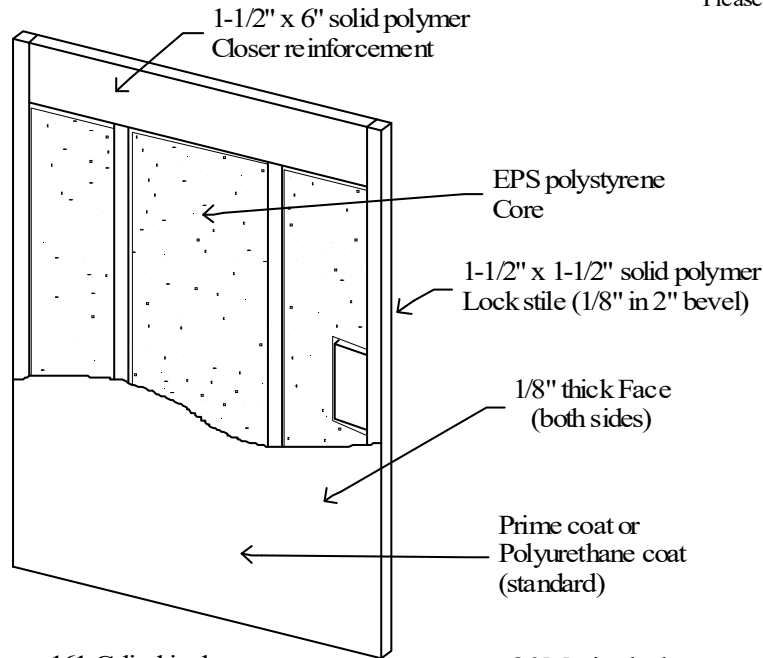


ES Series

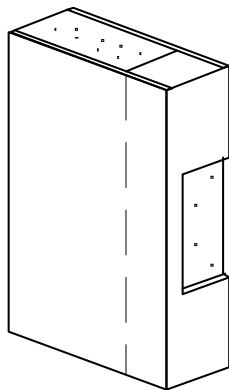
Specifications

Doors shall be ES series Manufactured by Edgewater Door, Neenah, Wisconsin. Doors shall be of full flush construction 1-3/4" in thickness, manufactured utilizing pultruded fiberglass components for flexibility, durability, superior strength and chemical resistance. Laminated composite door faces shall be urethane fused to the stile and rail assembly, including the vertical stiffeners and surface area of core material, utilizing a two-part 100 percent reactive urethane adhesive, and then cured under pressure until completely bonded. Both lock and hinge stiles and top and bottom rails of the door shall be filled and ground smooth for a completely sealed construction. Doors shall have a beveled (1/8" in 2") lock edge.

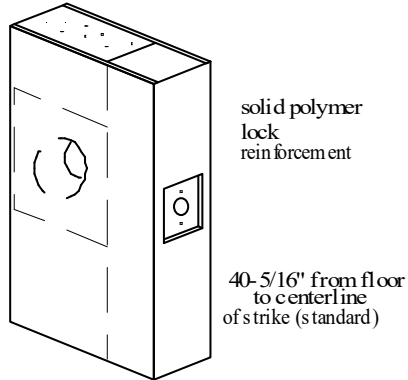
Please note: astragals supplied by Edgewater only if noted on order.



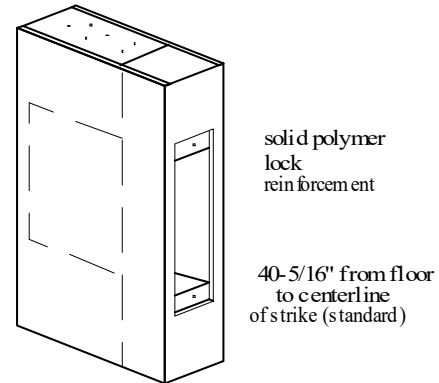
Door hinge Reinforcement



161 Cylindrical Lock reinforcement



86 Mortise lock reinforcement



Hinge & lock stiles Top & bottom rails (seamless)

