

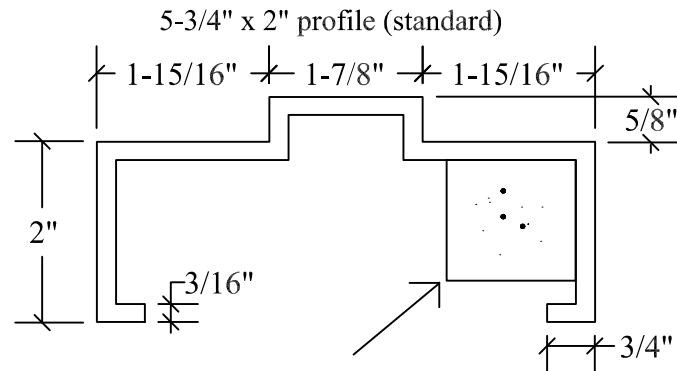
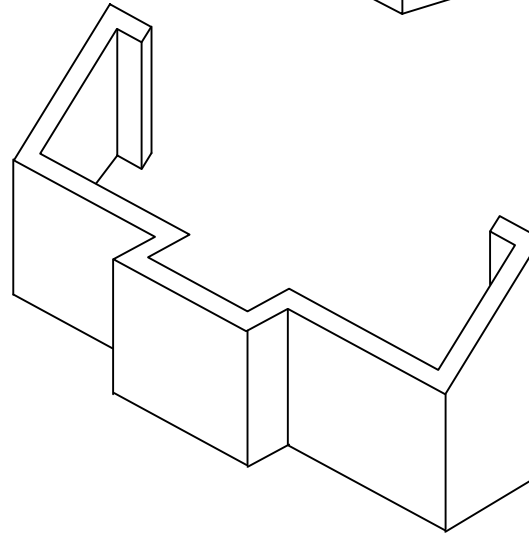
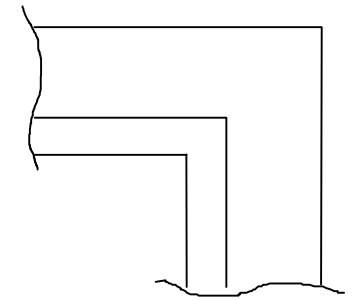
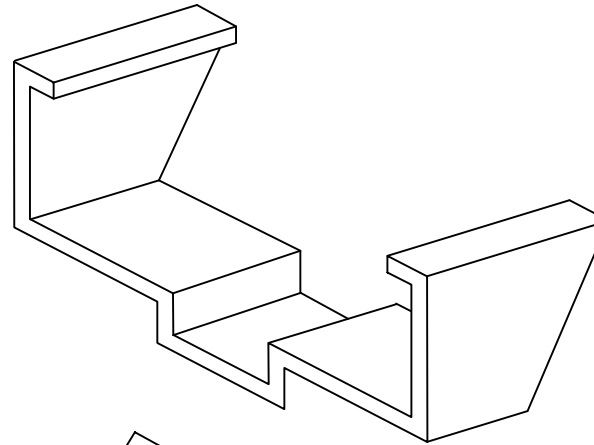
# EF Series Frame

## Specifications 90 Minute Fire-rated Frame

Frames for E-F (fire) series fiberglass frames to be manufactured from 0.1875 inch (4.8mm) thick fiberglass pultrusions by Edgewater Door, Neenah, Wisconsin. Profile shall be of standard hollow type to permit installation into new concrete or block walls.

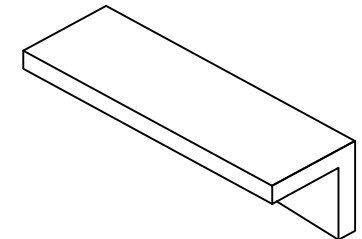
Frames shall be supplied with plaster guards or mortar boxes at back of hardware cutouts where mortar or other materials might obstruct hardware operation. Frames shall be fabricated with mitered resin-welded corners and seamless face joints (set-up and resin welded frames with temporary spreader bars). 45, 60 & 90 minute doors supplied with 90 minute frames. Frames must be grouted solid with mortar in the field.

Please note: Frames to be set-up and resin face welded.



Fire-Defender (FS)  
Hinge and Strike  
Reinforcement

Miters are bonded together utilizing (2) 1" x 1-1/2" x 3/16" FRP plates and (1) 5-1/4" x 2" equal leg FRP angle



Tested in accordance with "Positive Pressure Fire Tests of Door Assemblies" ANSI/UL10C (2nd Edition, 2009) and UBC 7-2 (1997)

