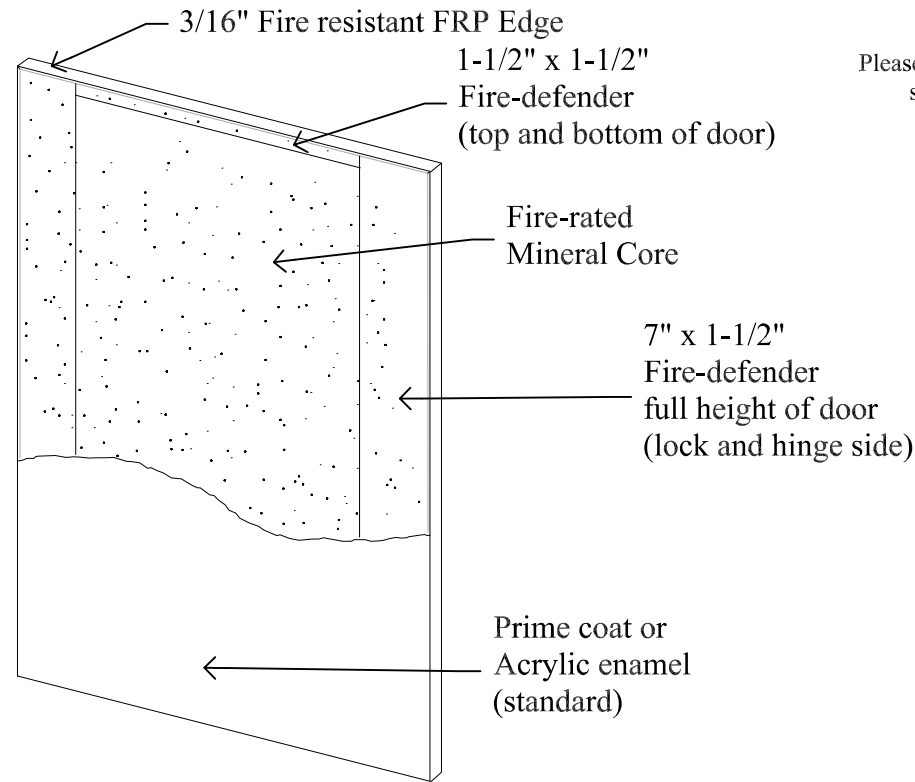


**EF Series**

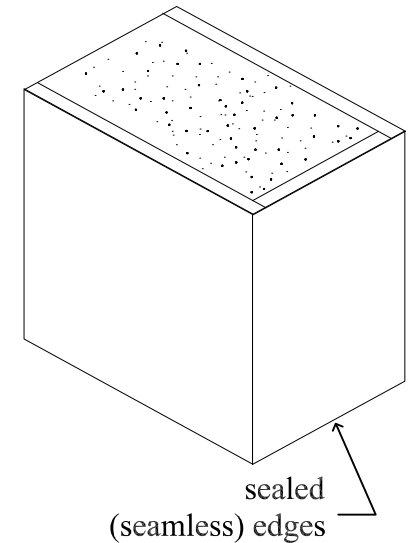
45, 60, 90 Minute Fire-rated Door

**Specifications**

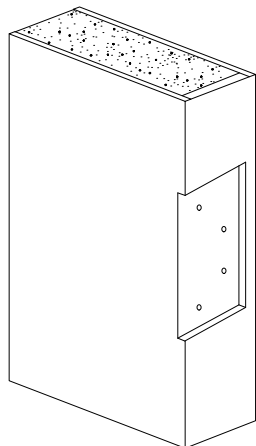
Doors shall be EF series Manufactured by Edgewater Door, Neenah, Wisconsin. Doors shall be of full flush construction 1-3/4" in thickness, manufactured utilizing pultruded fiberglass components for flexibility, durability, superior strength and chemical resistance. Laminated composite door faces shall be resin fused to the stile and rail assembly, including the entire surface area of core material, utilizing a fire-resistant adhesive, and then cured under pressure until completely bonded. Both lock and hinge stiles and top and bottom rails of the door shall be filled and ground smooth for a completely sealed construction. Doors shall have a beveled (1/8" in 2") lock edge.



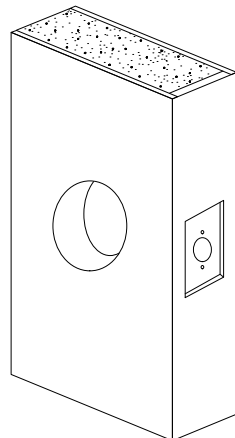
Please note: metal astragals for pairs supplied by Edgewater.



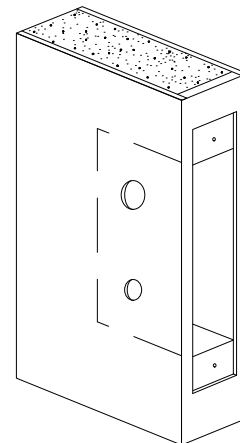
**Door hinge reinforcement**



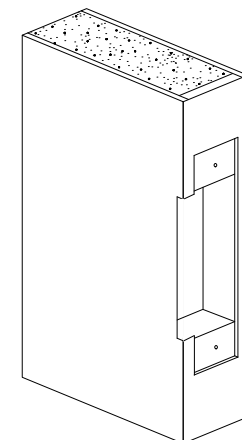
**161 Cylindrical lock reinforcement**



**86 Mortise lock reinforcement**



**478 ASA strike reinforcement**



Tested in accordance with "Positive Pressure Fire Tests of Door Assemblies" ANSI/UL10C (2nd Edition, 2009) and UBC 7-2 (1997)



Job Number:

Project:

Sheet Number: of: